

# FRANZ VIEGENER

---

## ***FREESTANDING***

---

*i n s t a l l a t i o n*



**FV215.BASE**

**CONGRATULATIONS !**

This product has been subjected to stringent tests for its quality, performance and finish. We guarantee years of trouble free operation.

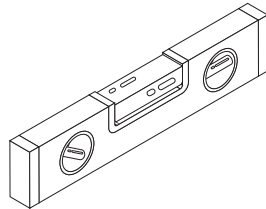
We thank you for your choice and above all for the trust you are placing in us. This trust is what motivates us to improve every day.

***Required installation tools.***

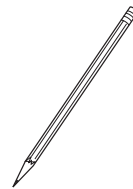
**Not provided.**



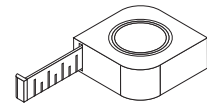
Sealant  
tape



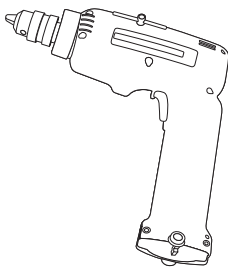
Level tool



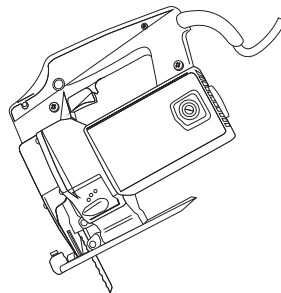
Pencil



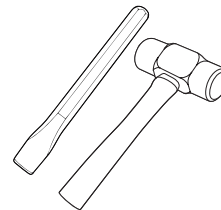
Measure tape



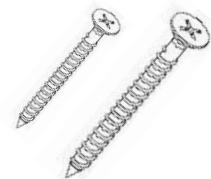
Power Drill



Jigsaw

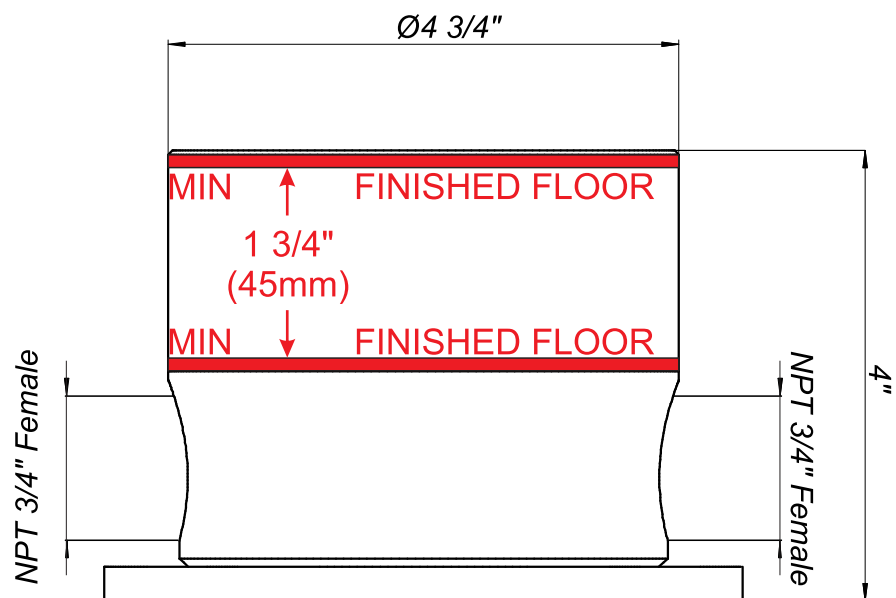
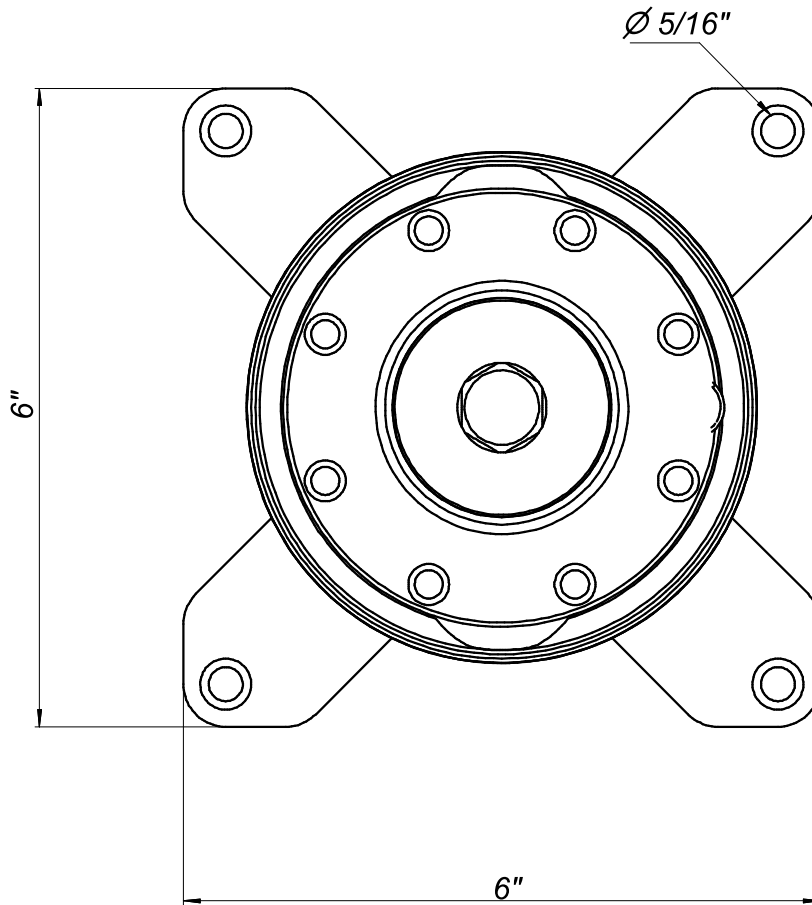


Chisel and hammer

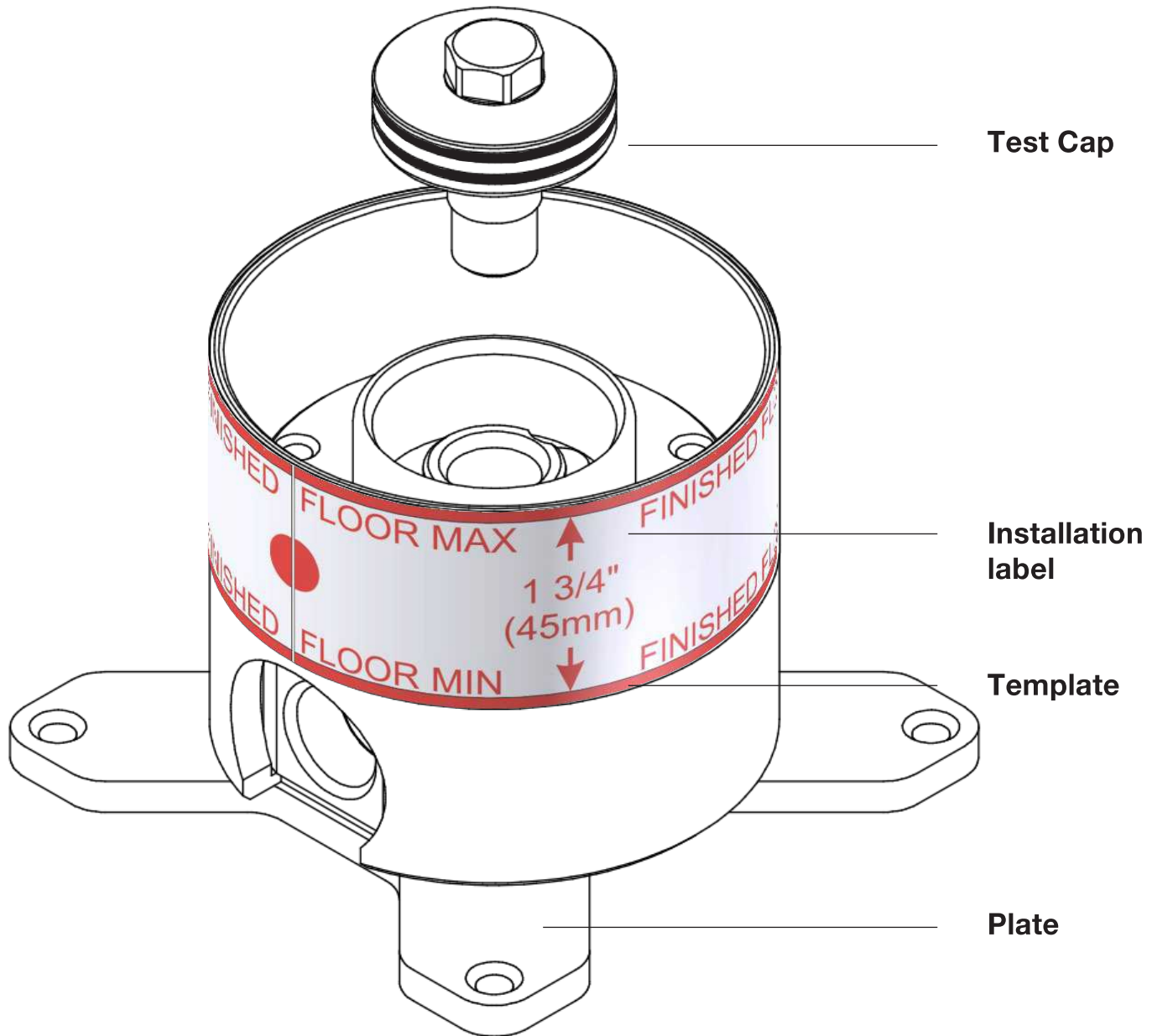


Screws

**FV215.BASE**  
Freestanding Rough valve  
Measures

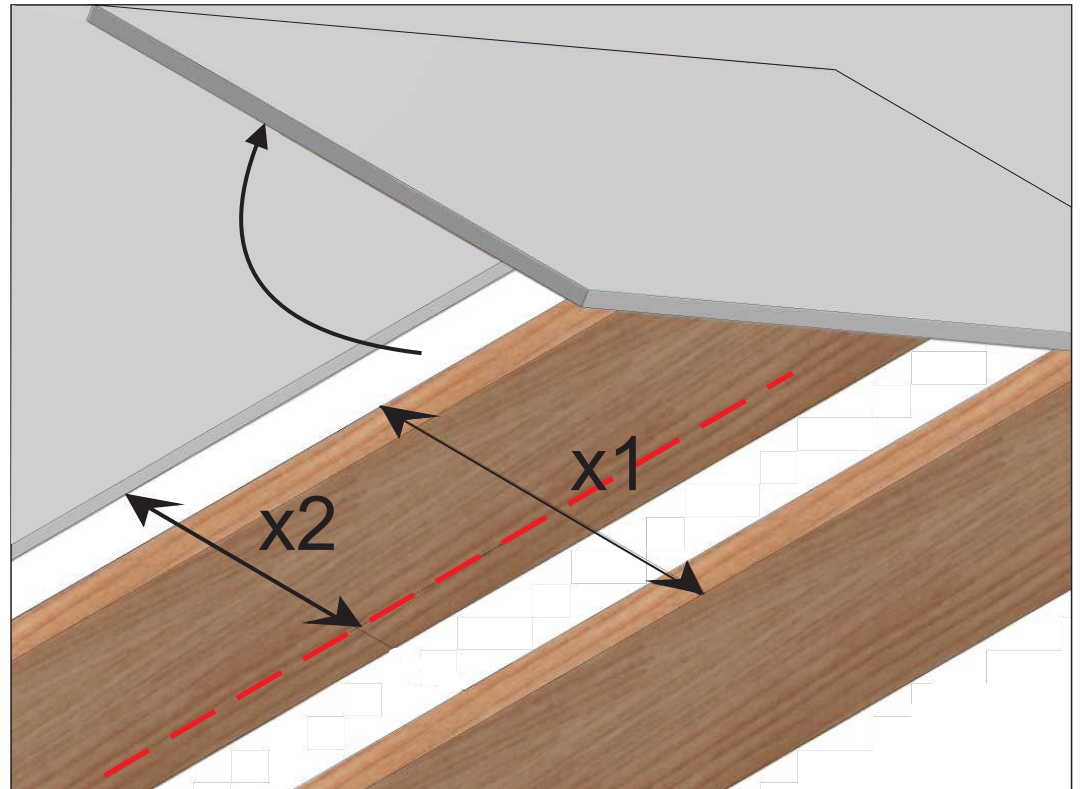
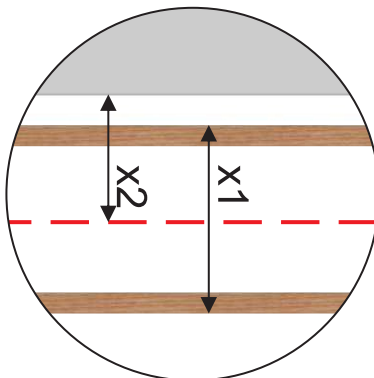
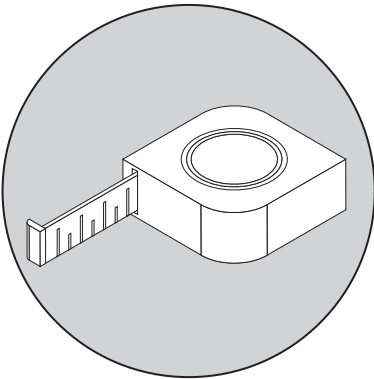
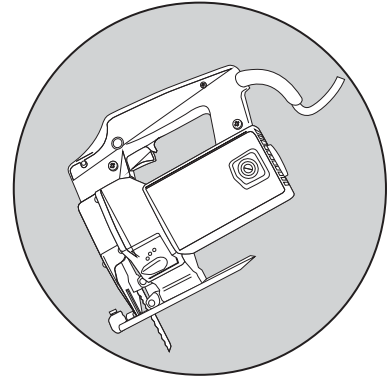
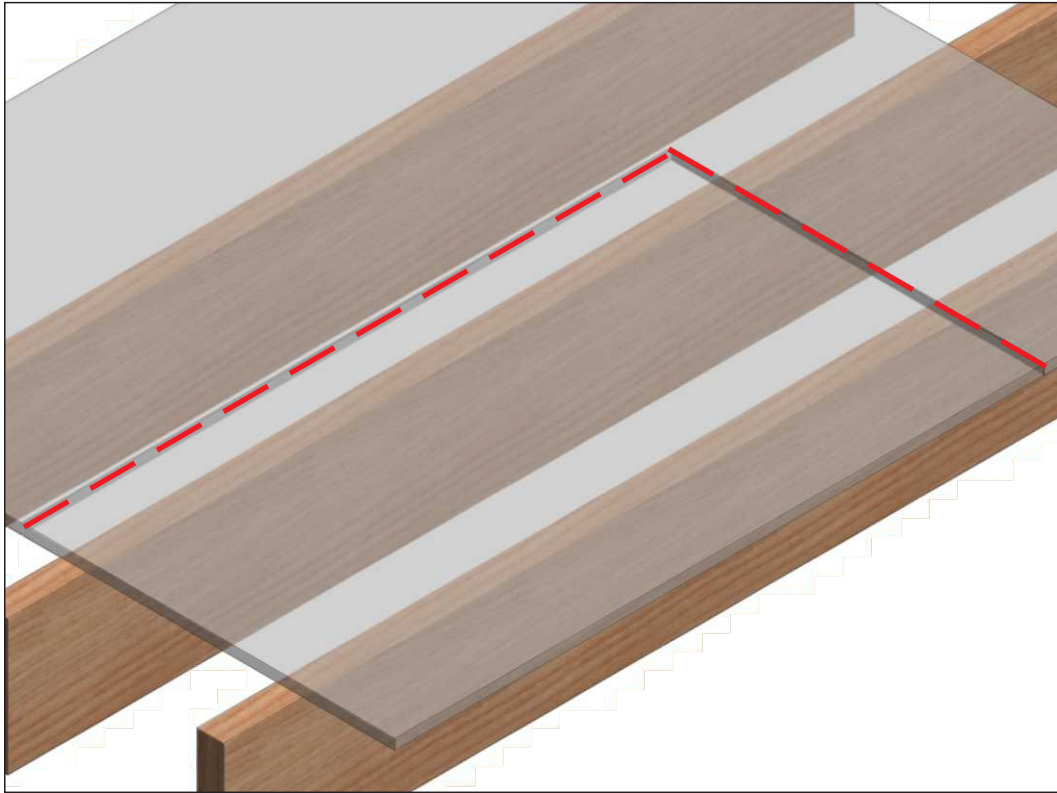


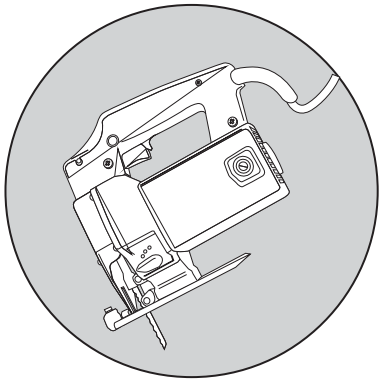
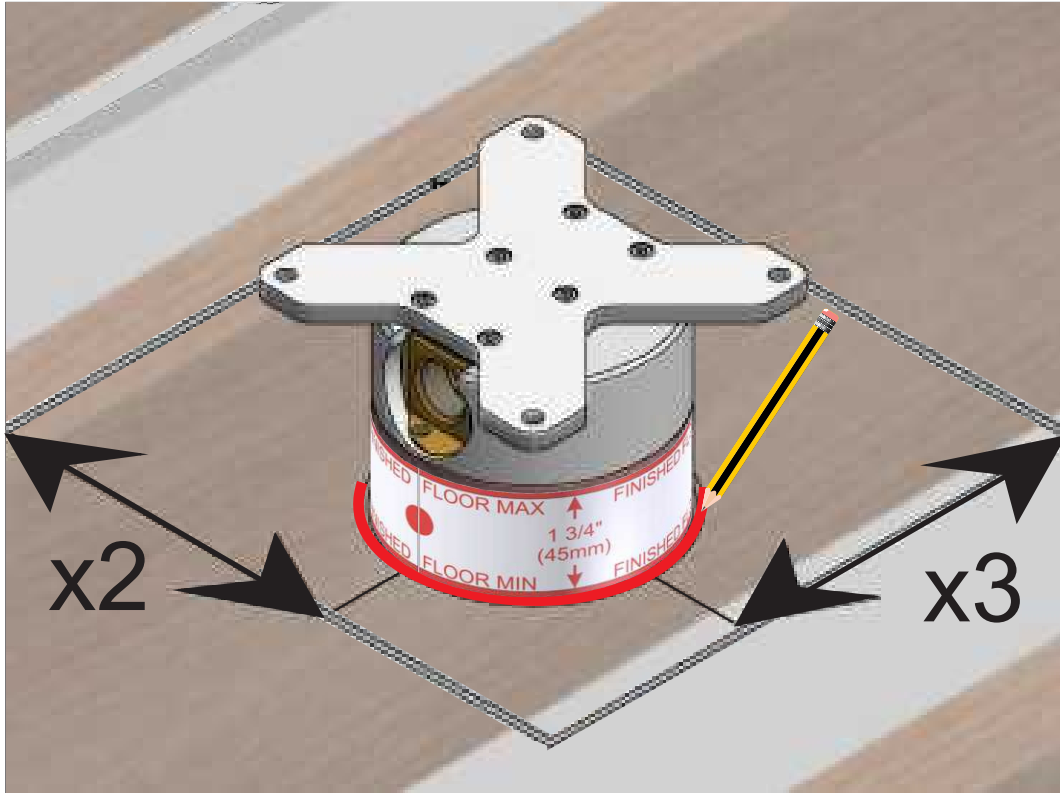
**FV215.BASE**  
Freestanding Rough valve  
Exploded view



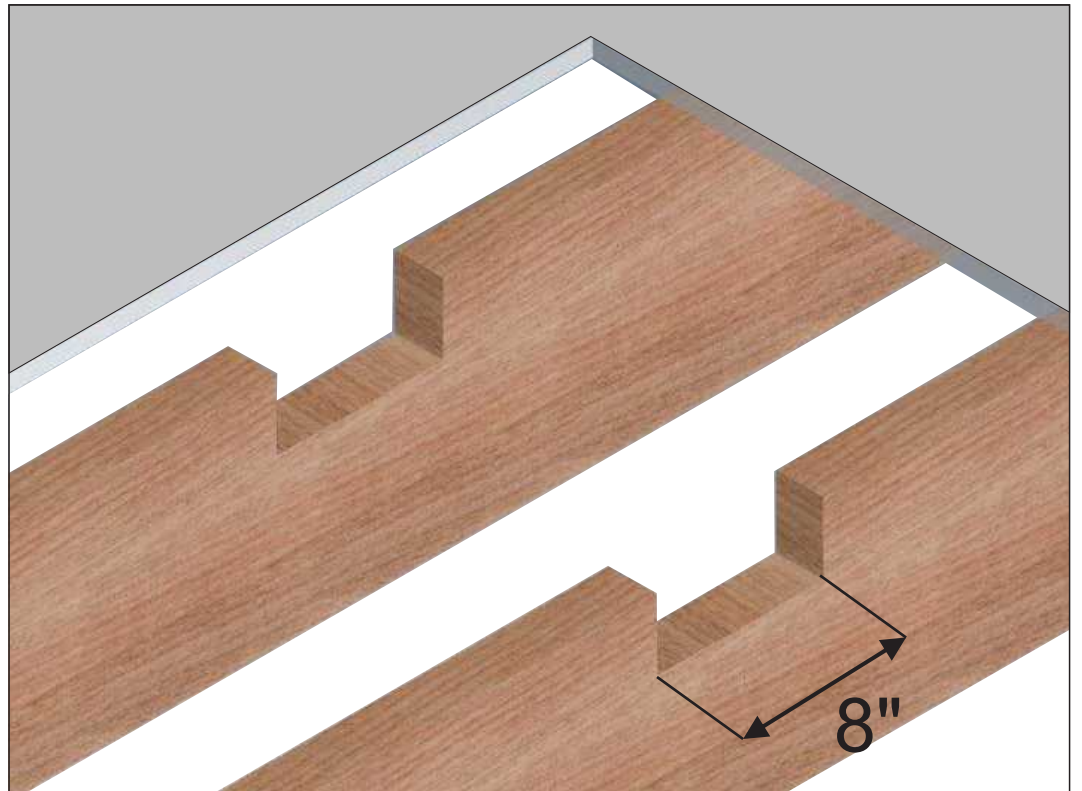
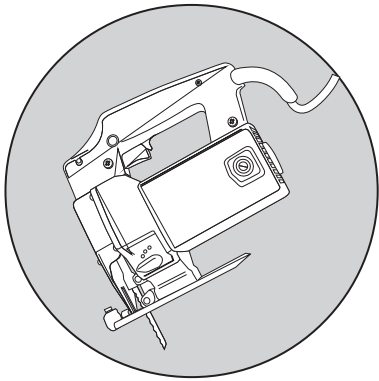
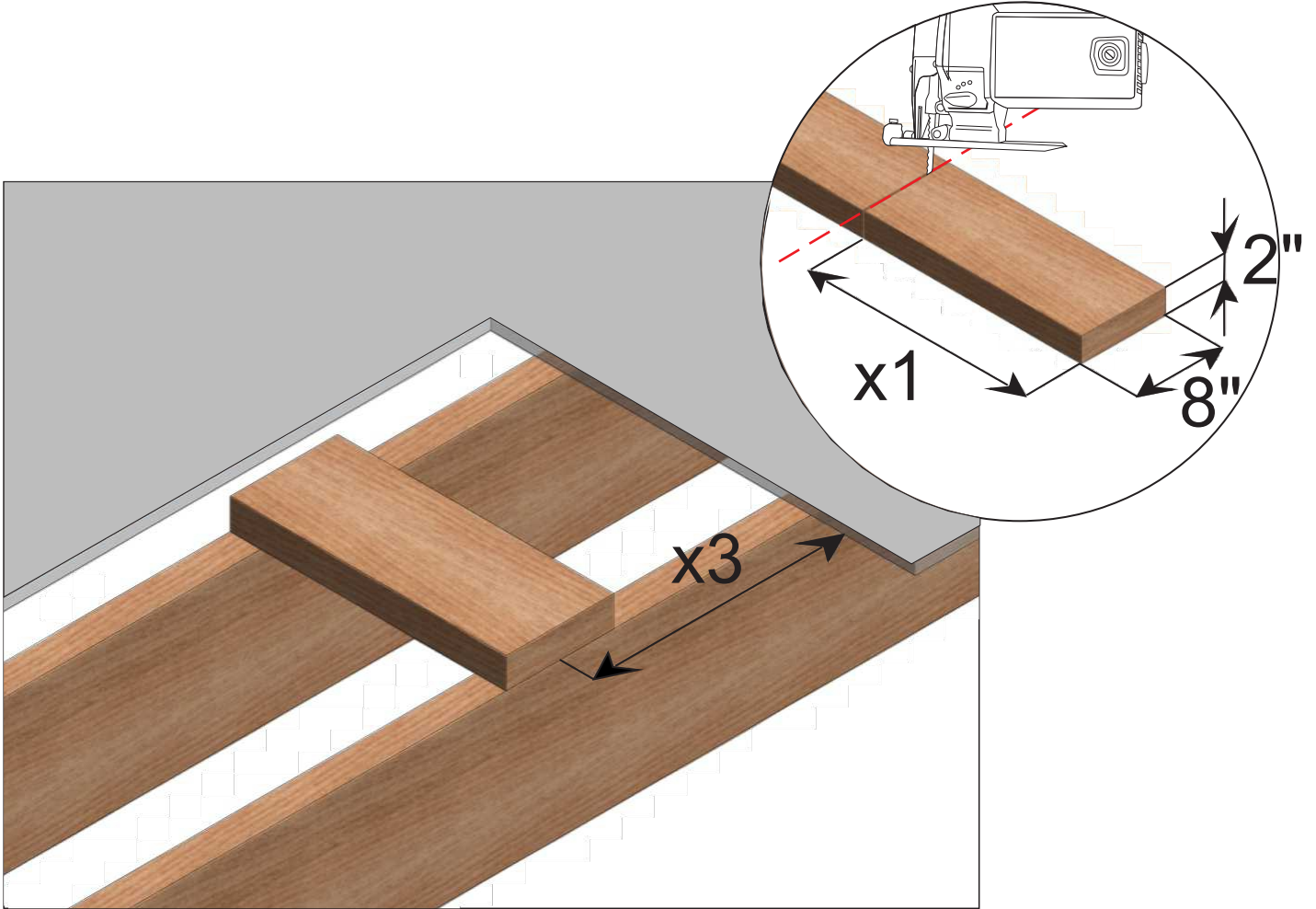
FV215.BASE

Mounting under a subfloor with a rigid stringer

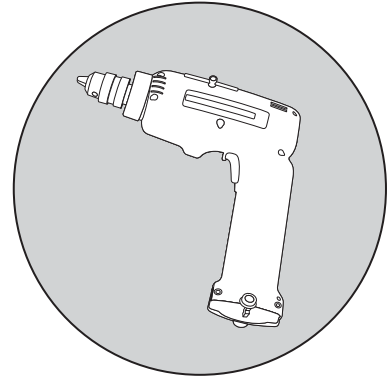
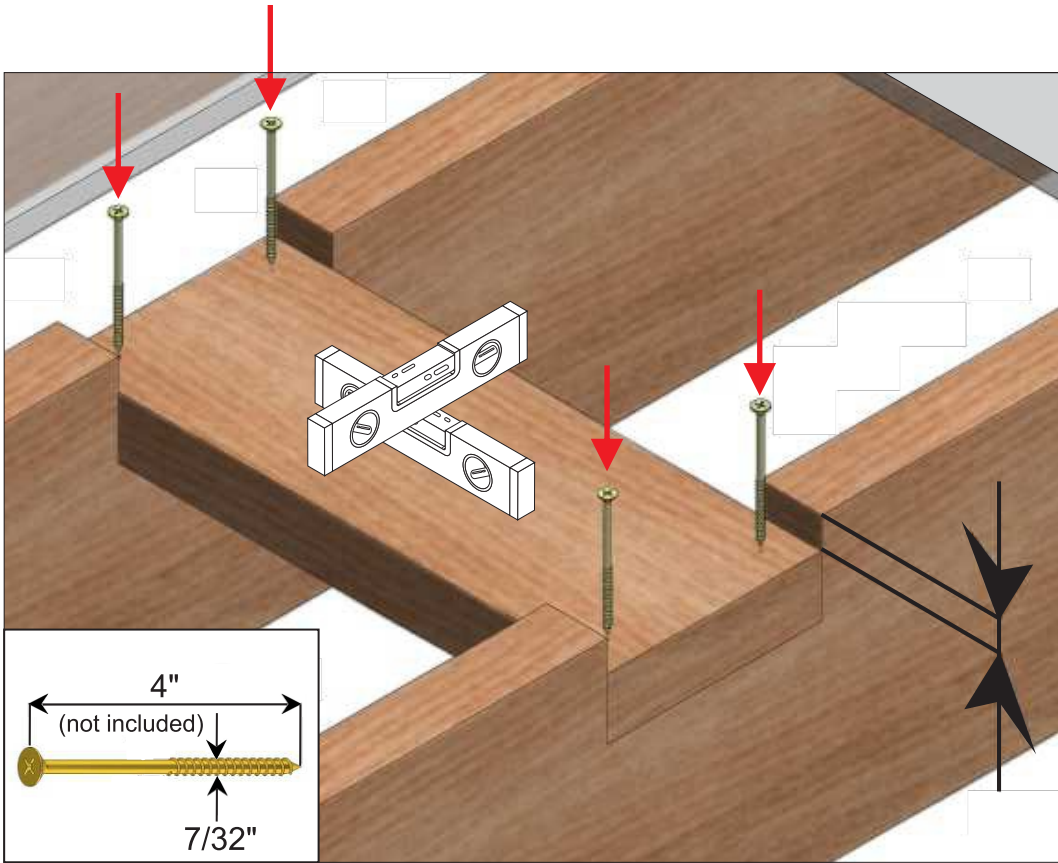




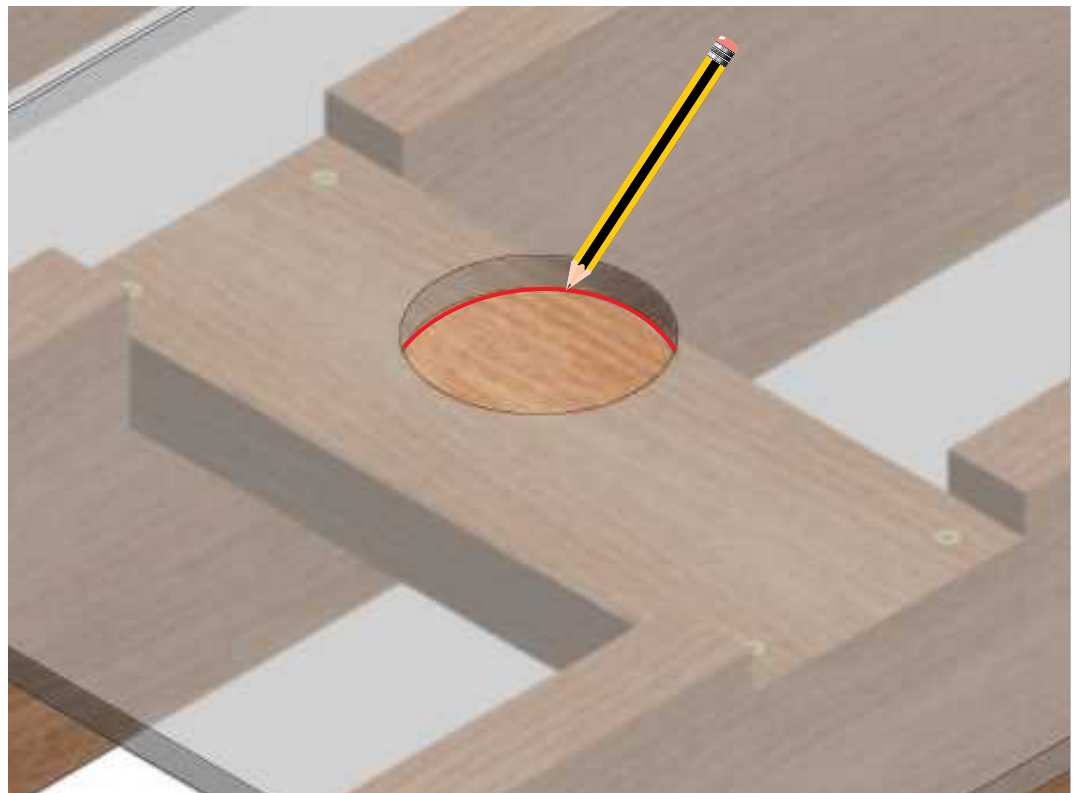
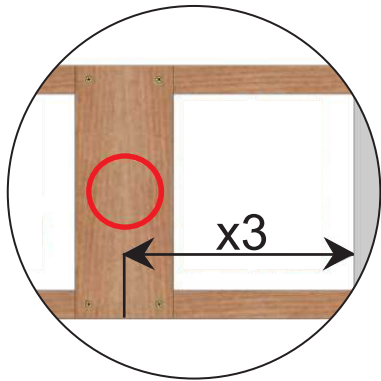
# FREESTANDING ROUGH VALVE



# FREESTANDING ROUGH VALVE

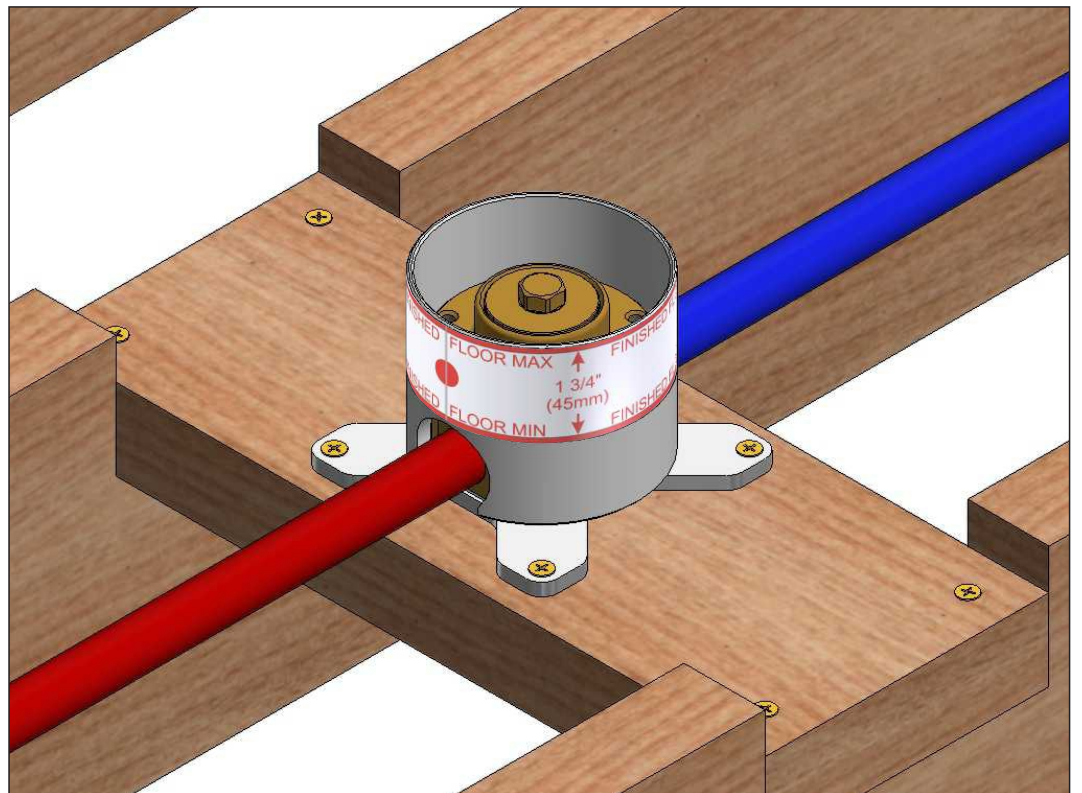
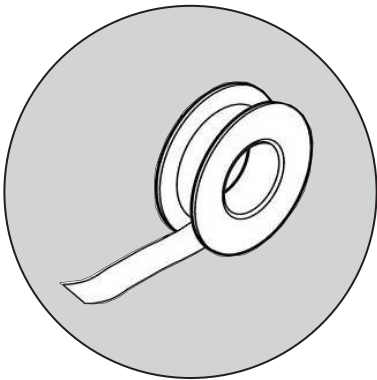
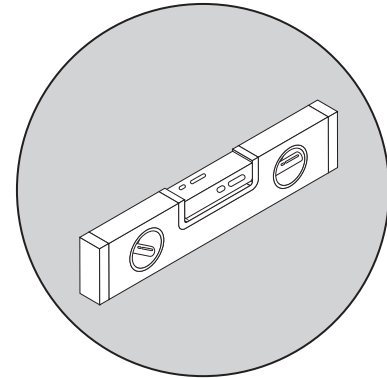
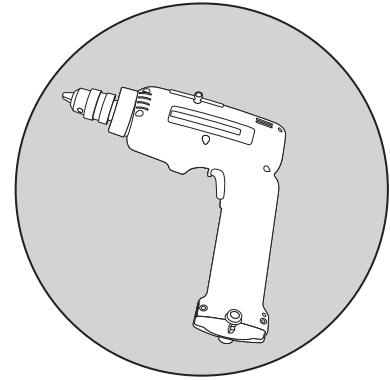
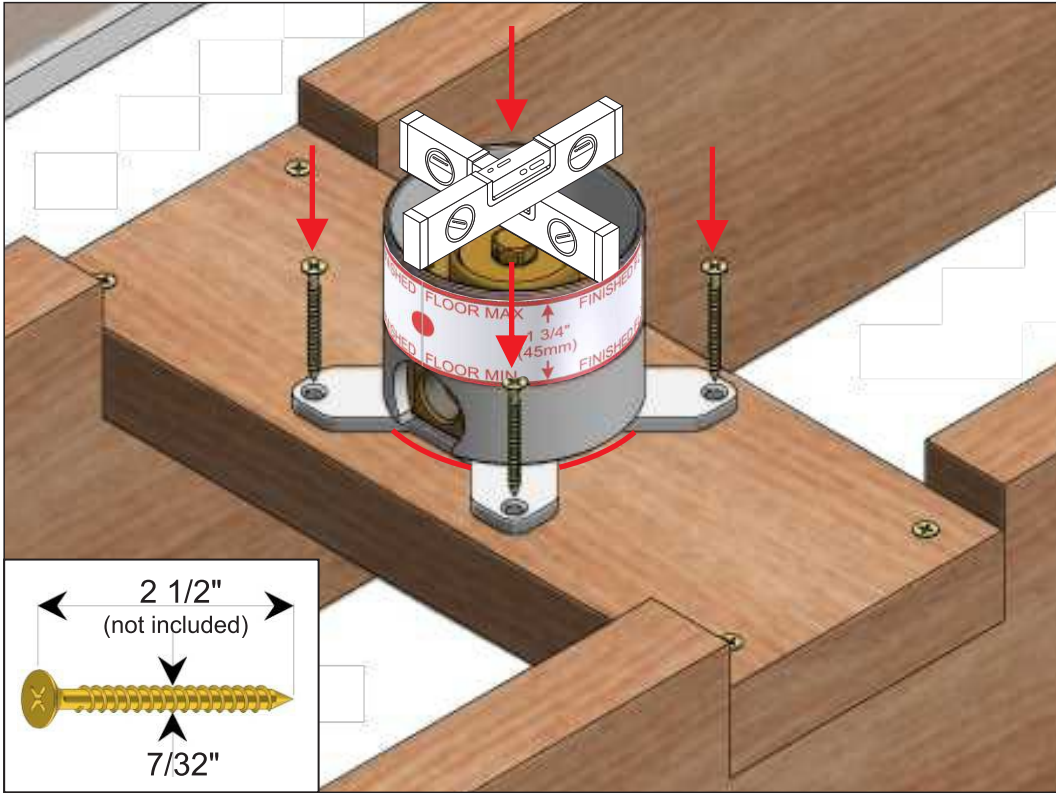


**2"**

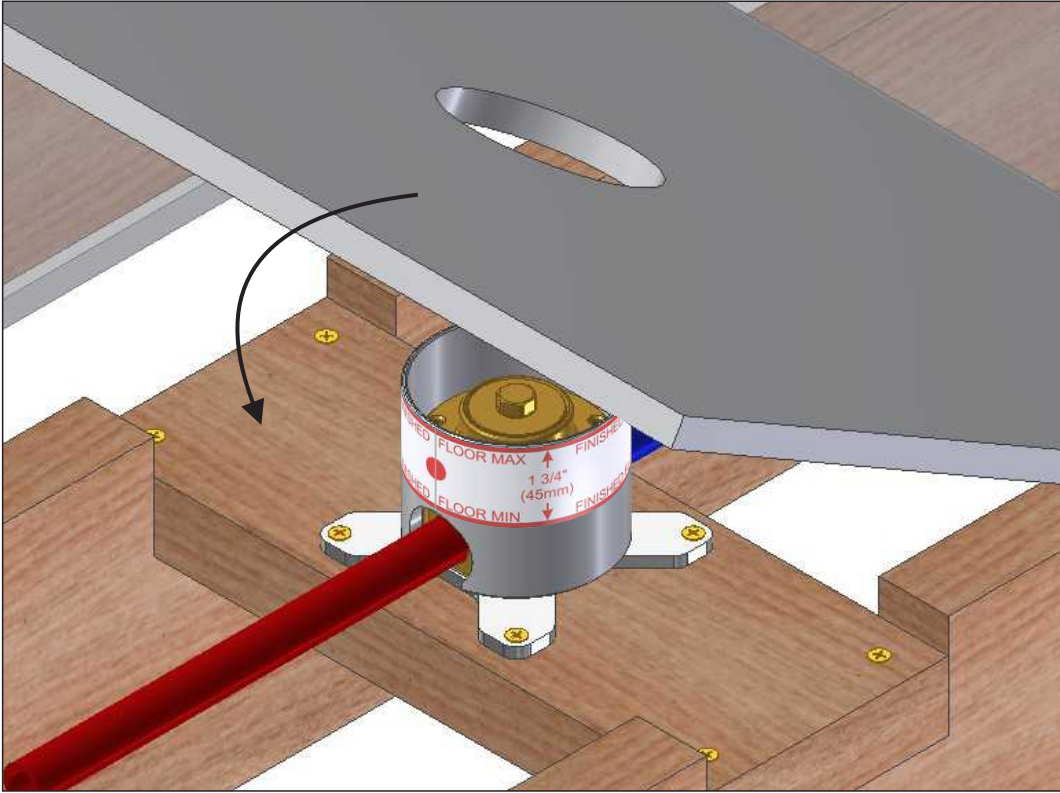




# FREESTANDING ROUGH VALVE

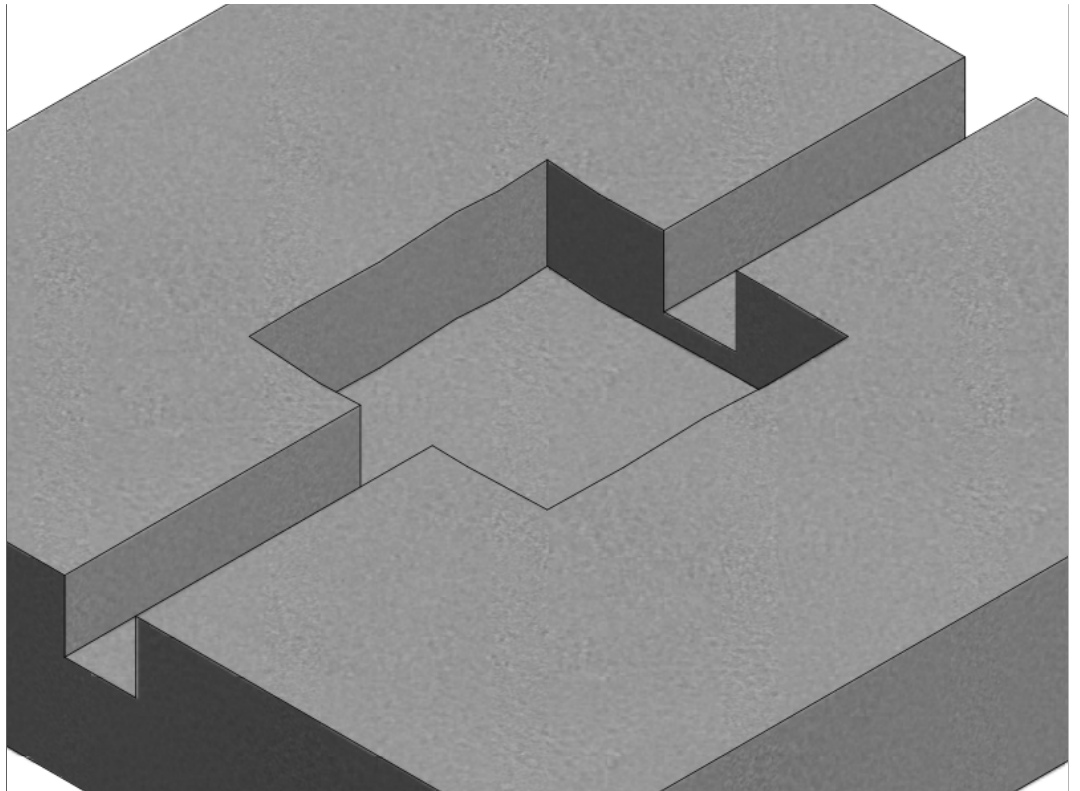
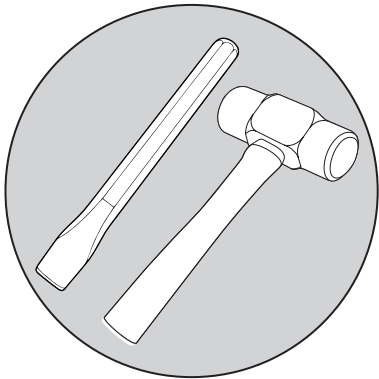
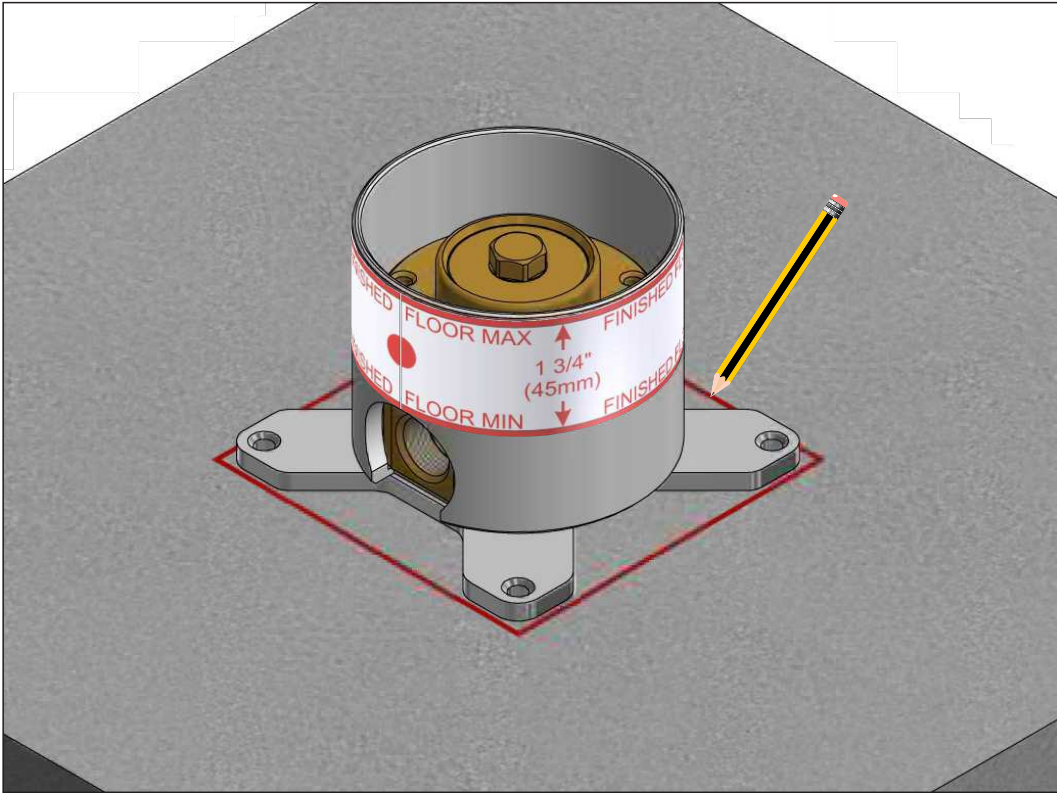


# FREESTANDING ROUGH VALVE

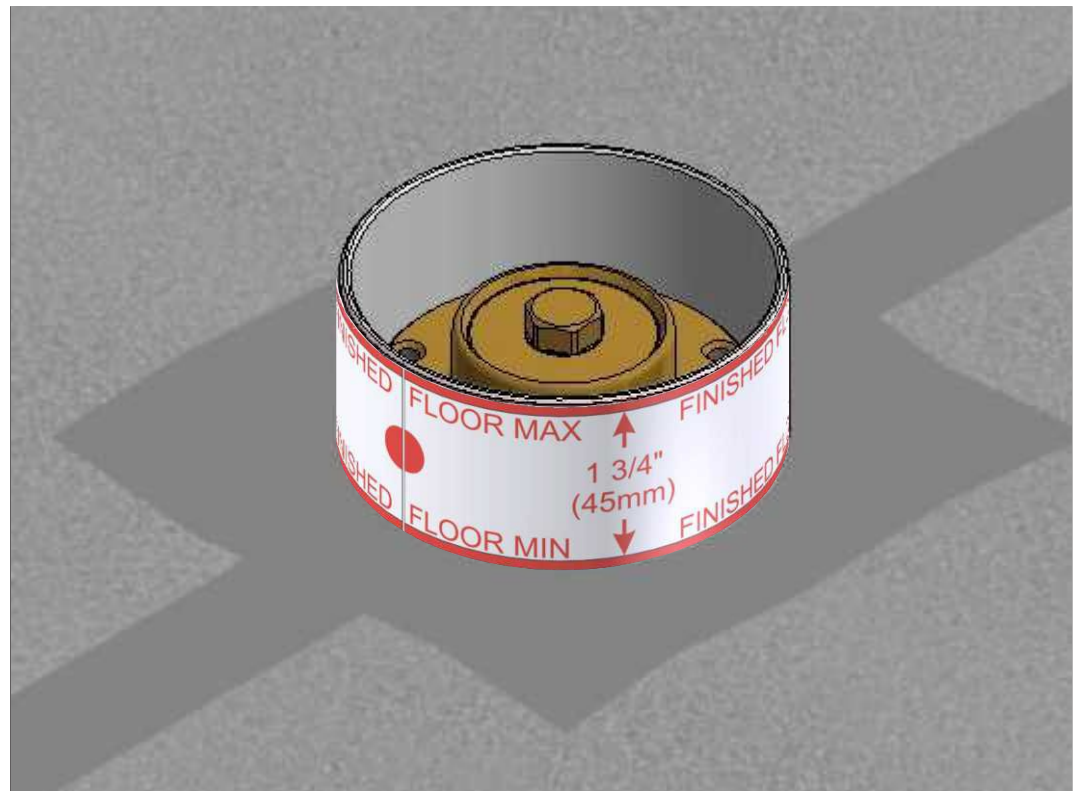
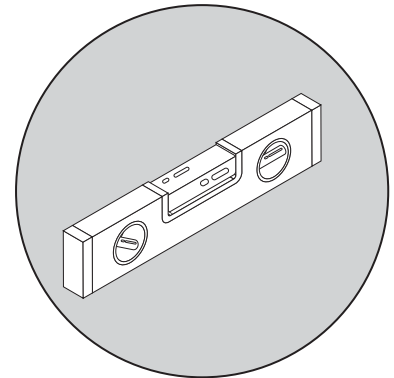
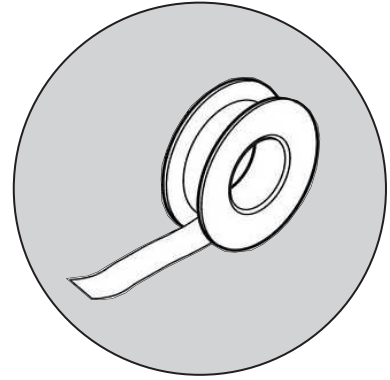
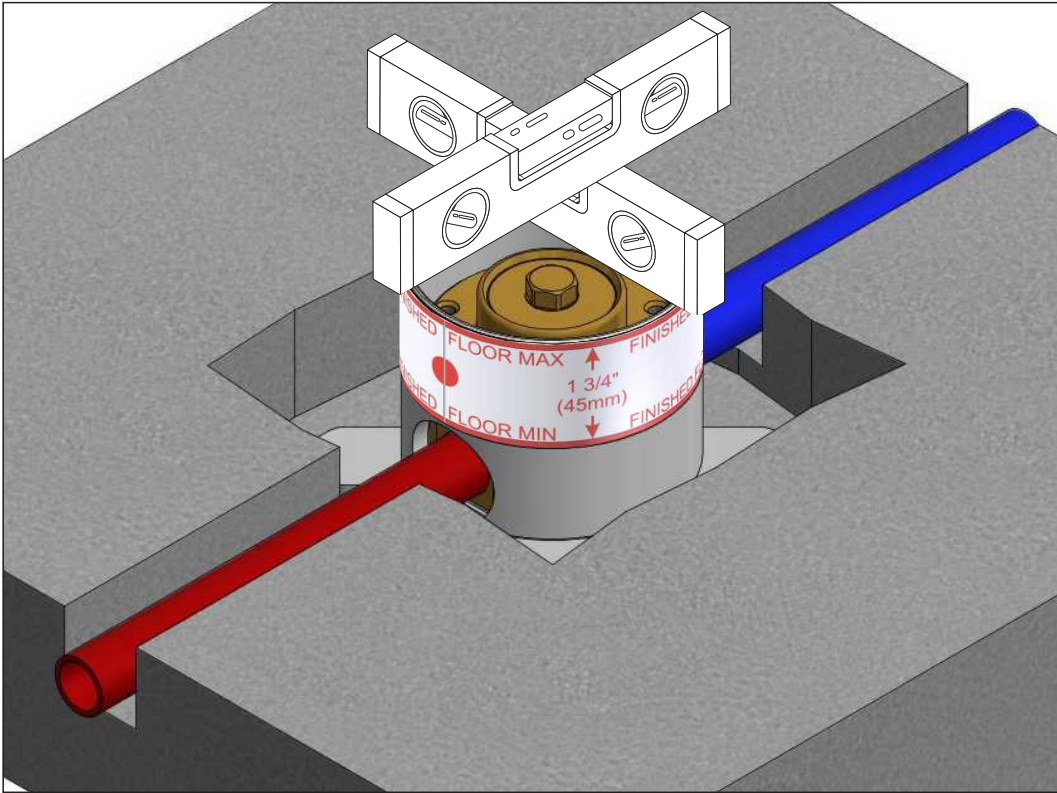


**FV215.BASE**

**Mounting on a concrete floor**



# FREESTANDING ROUGH VALVE

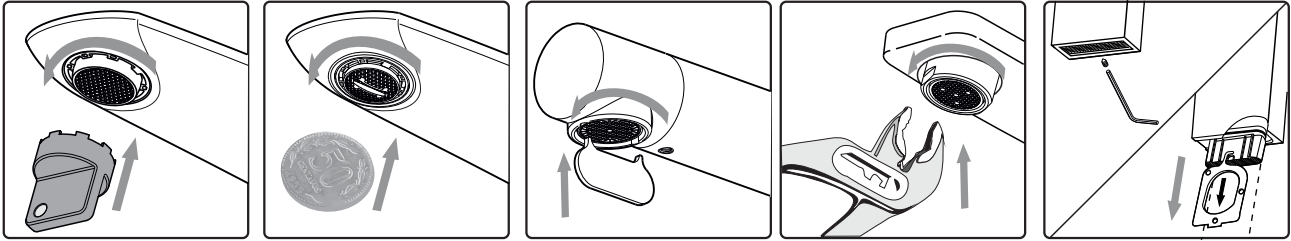








## Aerator cleaning

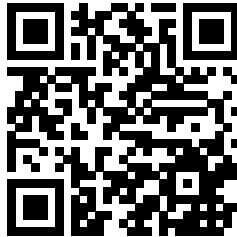


Place the corresponding tool according to the type of aerator you have and remove it. Wash it under a stream of water. If there is any sediment, place it in a glass of vinegar during the night. Put it back the next day.



**Attention! Do not use sharp objects to unblock the aerator**

**WARRANTY:** For more information please visit <https://franzviegenger.com/warranty/>



**FRANZ VIEGENER Customer Service Department (800) 446-9700**

Phone 847-244-3837 / Fax 847-249-4049 - [info@franzviegenger.com](mailto:info@franzviegenger.com)

4000 Porett Drive - Gurnee, IL, 60031-USA.

Follow us on social media!    



Scan the code to get more information about this line.

[www.franzviegenger.com](http://www.franzviegenger.com)